



Where Industry &  
The Internet Meet



## No-Wire Access M2M Internet Connect Solutions

Specializes in providing fast, reliable LTE Cellular based Internet connectivity solutions to the M2M industry. What was once a dream of being able to connect machines to other machines via the Internet has now become a necessary reality. No-Wire Access was started to meet this very need.

### IDEAL FOR

- Wind farms & Alternative Energy
- Water Tank Monitoring Systems
- Process Control Monitoring
- "Dark" Facility Communications
- Mall Kiosks & Popup Stores
- Digital Signage and Menu Systems
- Oil & Gas Industries
- Asset Tracking
- Remote BACnet & HVAC Monitoring
- Remote Machine Monitoring
- Vending Machines
- Many More M2M Applications

No-Wire Access is ready to meet the requirements of the ever expanding world of M2M Internet connectivity. Applications include many such as, Alternative Energy Monitoring, the Oil & Gas Industry, Asset / Fleet tracking, "Dark Facility" communications, Digital Signage and Menu Systems, The Medical Industry, BACnet & HVAC systems monitoring, Remote Surveillance, kiosks and Remote Process & Control monitoring, vending machines and many more.

We pride ourselves on providing you with a M2M Internet Connection Solution tailored to your specific requirements. Our highly knowledgeable staff will meet or exceed your expectations with both service and the final outcome.

No-Wire Access has the experience and knowledge needed to take your M2M Internet connectivity requirement and tailor a data-plan along with the needed hardware to provide a solution that is both economical and simple to implement.

Both our sales and support teams are located in the USA and we never outsource any part of our sales and support functions to other countries.



## Enterprise Grade Hardware Assure High Reliability

State-of-the-Art hardware means that when your network is utilizing one of our M2M Internet connection Solutions, you can be assured of top level performance and reliability. We offer a variety of various hardware solutions to meet your needs. From a simple “Plug-n-Play” USB Cellular Modem, Cellular to Ethernet Bridge to a dedicated Multi-WAN Security Router with Failover capabilities, No-Wire Access has you covered. Our sales team will be more than eager to put together a total M2M Internet connection Solution to keep M2M network up and running. Below is a sample of some hardware devices we utilize.

### An Industrial Grade LTE Router

from PepWave. The MAX BR1 Mini offers high-performance and features ideally suited for critical network requirements as well as harsh and/or mobile environments.

The PepWave MAX BR1 Mini in addition to the standard power supply jack, also includes DC power supply screw terminals for use in mobile applications. Included are redundant SIM slots which allows the MAX BR1 Mini to be used with two different Cellular carriers if desired . You can even set the MAX BR1 Mini to automatically switch SIM cards when you’re about to exceed a data cap. It offers two Ethernet LAN connections of which one can be configured as a WAN connection <sup>1</sup>.



The MAX BR1 Mini has a powerful yet intuitive web based interface and is a great choice for the demanding

applications requiring high-performance and flexibility. Built-in GPS is ideal for mobile use and fleet tracking applications.

<sup>1</sup> The MAX BR1 Mini offers an optional license that enables Ethernet and Wi-Fi WAN for Failover between the different WAN connections.

### Cellular to Ethernet Bridge



The eCell Cellular to Ethernet Bridge from MultiTech is an ideal way to add Cellular based Internet connectivity to your M2M network. The eCell, can be connected directly to an Ethernet port on your equipment or to a router on your network to form a versatile Internet communications “front-end” for your M2M / Industrial network.

The MultiTech eCell offers high performance LTE connectivity, rugged all aluminum enclosure construction, DIN Rail mounting capability\*, DC power supply operation and an easy-to-use web based user interface. The eCell can be set to run in NAT (Network

Address Translation) mode for even more control on your network. All of these outstanding features make the eCell the ideal choice to implement a No-Wire Access M2M Internet Connection Solution.

\* Consult No-Wire Access for more details regarding DIN Rail mounting applications.



*Even More Versatility and Control for Your IOT Network is Available*



### The Peplink Balance-20x LTE Failover Router

The need may arise when your IOT Network is spread across multi-facilities or that you wish to keep your IOT Network's infrastructure separate from your office network infrastructure. We offer suitable Routers such as the Balance 20x from Peplink. Devices like this will allow your IT staff or consultant maximum flexibility to meet your network requirements.

Your networks will benefit by staying online when connections fail with instant automatic failover. Connect your high-speed primary Internet connection and with a No-Wire Access provisioned SIM, the Peplink Router will seamlessly switch between wired and cellular links as needed to keep your network's connection to the Internet, stable and fast.

The Peplink Balance 20X offers redundant SIM slots with automatic switching, advanced GPS, and remote management, all packed into a durable metal enclosure.

The Peplink Balance 20X allows you to implement an Enterprise Level Internet Failover solution for your organization's network or even for use as a high-performance primary Internet connection for your IOT network. You can even install the optional Expansion module for an additional radio for increased bandwidth or multi-carrier access.

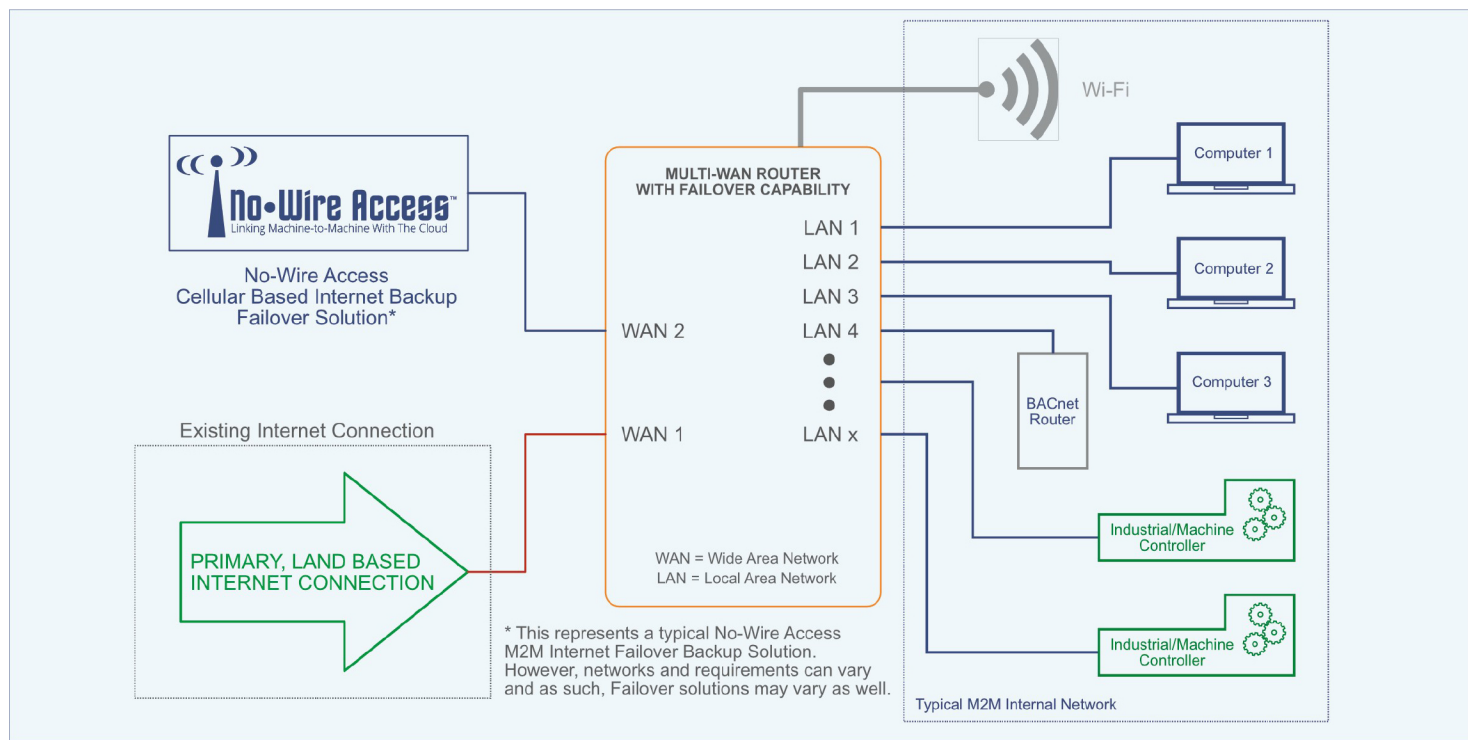
The Balance 20X features a straightforward web accessible interface along with its cloud management capabilities, make management a breeze whether onsite or offsite.

Both our sales and support teams are ready to assist you and answer any questions you or your IT staff may have.



**Modular Versatility**

## No-Wire Access, An Extra Layer of Connection



## M2M Internet Backup Failover Solutions

In many cases an M2M network requires constant connection to the Internet to support vital communications and functions. Perhaps you already have a primary Internet connection for your M2M network and it's devices in place and you're looking for a Backup Failover solution to augment this scenario. No-Wire Access can easily meet this need both quickly and economically.

We offer a wide variety of hardware devices and custom tailored data-plans to implement an Internet connection Failover solution to suit your specific needs. Whether this solution is just for an M2M network itself or facility wide, No-Wire Access can make it happen.

Multi-Carriers, as well as Dynamic and Static IP addresses are available.



## *Multi-Carrier Capable to Meet Your Requirements*

No-Wire Access prides itself on being partners with major Cellular carriers and thus is able to offer very competitive data rates for our M2M Internet Connection Solutions. Based on your requirements, our sales and support teams will work with you to provide a data plan that meets your needs and budget.

No-Wire Access M2M Connect Solutions & Services are available in the United States and Canada.

## *Does Your Network or Application Require a Static IP Address? No Problem.*

In certain cases there is a need for your M2M's network to communicate over the Internet utilizing a **Static IP Address\***. Using a Static IP address allows you to remotely access devices securely and retrieve the information you need whenever required, giving you full control along with peace of mind.

No-Wire Access is able to offer Cellular based M2M Internet Connection Solutions which provide your network with a dedicated Static IP address. Contact us for more details regarding availability and pricing.



\* A Static IP address is an address that is **permanently** assigned to you by your ISP and does not change even if your computer, M2M device or your ISP's Modem reboots. A Static IP address is usually assigned to an M2M scenario where it must use the same IP address every time it connects to the Internet.



at&t

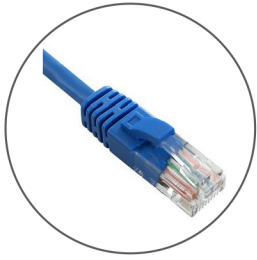
T-Mobile

verizon<sup>v</sup>

ROGERS<sup>TM</sup>



## Connecting Your Network to Ours



Ethernet Connectivity



WiFi Connectivity



USB Connectivity



RS232/RS422/RS485

We offer many ways to connect your network to ours. From a wired Ethernet connection, WiFi connectivity, USB, industrial and legacy interfacing. No-Wire Access has your covered.

Offering a wide variety of M2M network to Internet interfacing options allows us to meet most M2M Internet connectivity requirements without issue. For example, most industrial and/or legacy equipment usually communicates over RS485, RS422 or RS232 interfaces while more modern machine-to-machine applications may utilize USB, Ethernet and/or WiFi interfacing.

Of course this is just a broad generalization of M2M network to Internet interfacing. Every application is unique and has it's particular requirements which our sales and support teams can help you with.





## M2M Internet Connectivity with Versatility

M2M environments vary by far. This is why when it comes to mounting and power supply requirements, No-Wire Access has options to accommodate your particular M2M application and environment.

## Mounting Flexibility

Most of the equipment we offer usually includes mounting hardware which allows basic simple mounting of the device. However in certain cases, specific or "custom" device mounting is necessary. We can assist you with these requirements as well as 32mm/35mm DIN Rail mounting solutions.

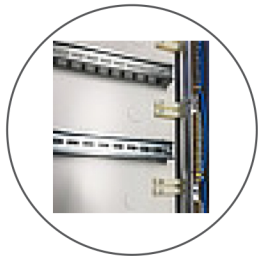
This flexibility also extends to Cellular signal considerations where outdoor/ external antennas or poor signal conditions may exist.



M2M application utilizing a No-Wire Access configured Cellular to Ethernet Bridge

## Power Options

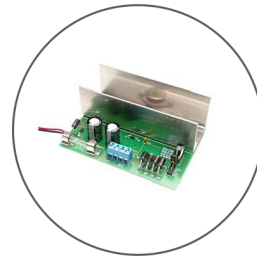
Along with standard AC power operation (100VAC~240VAC), we also offer custom power solutions to best fit your M2M application. For example, we can provide power solutions for environments with many "native" bus voltages (12V, 24V, 48V and more) both AC and DC.



DIN Rail Mounting



STD. 100VAC~240VAC Operation



Custom Power Options



Cellular Signal Considerations



## *We're Here for You*



No matter what your requirements may be for an M2M Connection to the Internet, our team will be happy to assist you. We realize that most requirements are in actuality, unique in many ways. We strongly encourage you to contact our sales staff so that we can customize the right solution for you.

We've partnered directly with tier one carriers and hardware manufacturers, which allows us to offer very competitive rates on our data plans and connection hardware.

We pride ourselves in having both a highly knowledgeable sales and support team. Together we can make certain that you receive top notch assistance throughout the entire implementation process. We are a US based company that does not outsource our sales and support functions.

## *Our Company*

4 Less Communications, Inc., a diversified industry leader, has been providing the web marketplace with reliable, secure, affordable, Internet related solutions for over 15 years through its related companies Hosting 4 Less, Certs 4 Less and Dialup 4 Less. We are very proud to announce our newest addition, No-Wire Access, dedicated to providing affordable Cellular Internet M2M Connectivity Solutions for industrial sector.

No-Wire Access was founded with the intent of offering LTE wireless Internet connectivity to retail stores, business and industrial networks. The simplicity of our implementation and competitive pricing will enable us to become a leader in the Cellular based M2M Internet Connectivity Solutions marketplace. Our mission is to provide reliable, high performance Internet Connection Solutions suited for industrial applications.

Built on the backbone of Nationwide tier one carriers, No-Wire Access is able to offer highly reliable, fast and competitively priced Cellular based Internet Connectivity to the M2M industry.

Fact is, No-Wire Access already has experience in connecting retail store and business networks to the Internet via our sister company, Dialup 4 Less which has been providing Internet connectivity for over a decade. Businesses, Government Municipalities, POS (Point-of-Sale) Manufacturers, Medical Monitoring Applications and a myriad of other types of applications have looked to us for solutions and our ability to see the "Big Picture".

Leveraging off that experience, No-Wire Access joins the next generation of Internet Connectivity providers, to offer M2M / Industrial applications Internet Connectivity Solutions which are reliable, economical and easy to implement.

### No-Wire Access

9586 Topanga Canyon Blvd.

Chatsworth, CA 91311

818.998.3224

[www.nowireaccess.com](http://www.nowireaccess.com)  
[sales@nowireaccess.com](mailto:sales@nowireaccess.com)

Document Version: II-10282021

© 2021 by No-Wire Access

All information is subject to change without notification.

LTE Functionality available only with LTE compatible devices.

All logos and trademarks are the property of their respective companies.